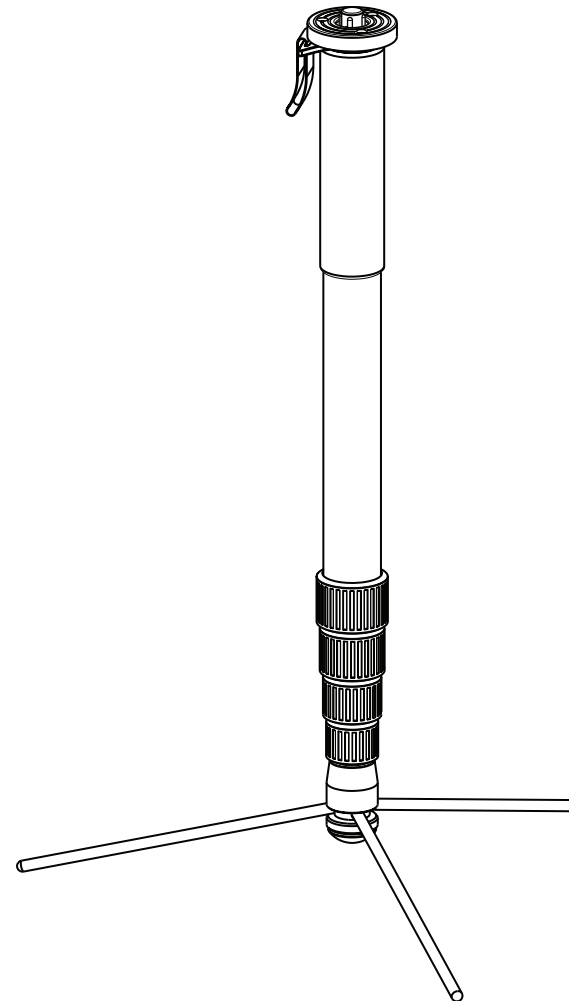




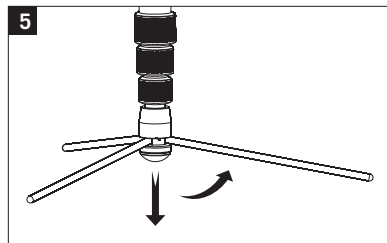
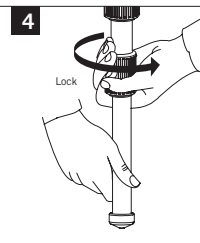
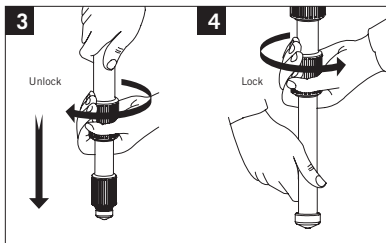
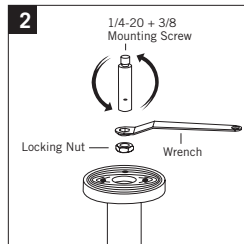
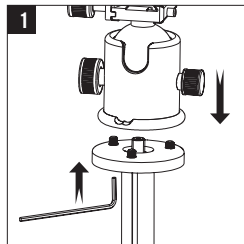
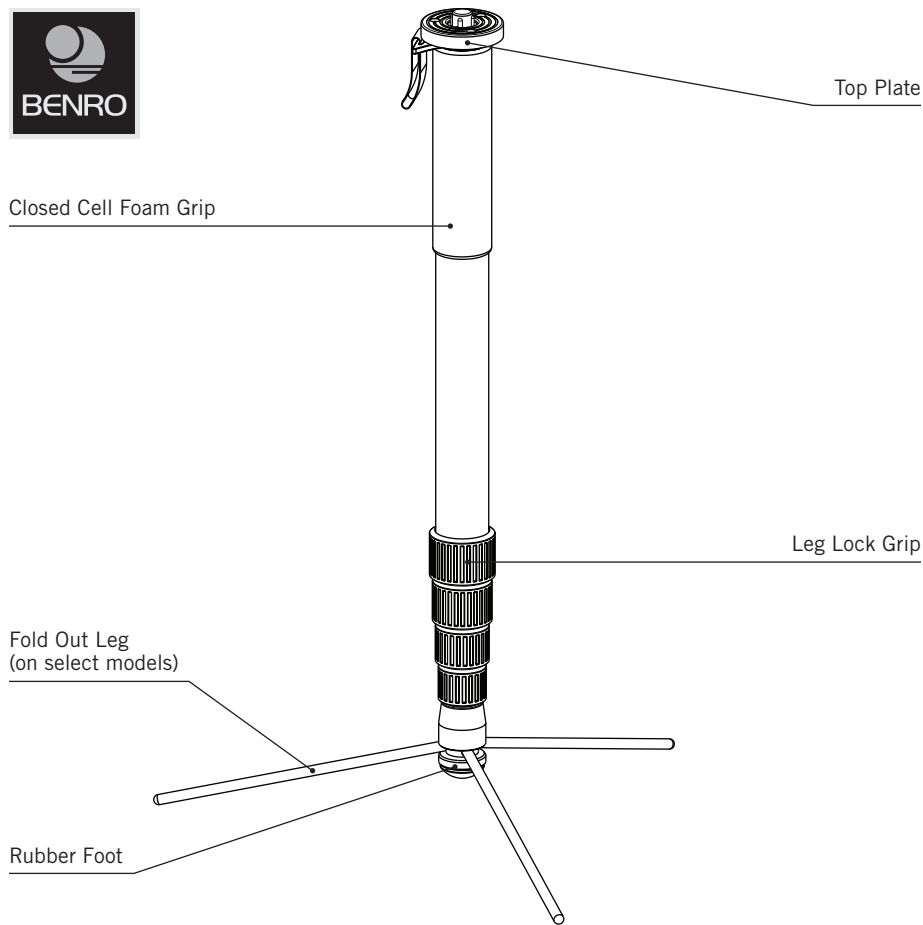
OPERATING INSTRUCTIONS

Thank you for making Benro your choice for professional photographic equipment. Your Benro gear is manufactured to provide years of dependable service. In order to obtain optimum satisfaction and performance, we suggest that you carefully read these instructions.



8 Westchester Plaza
Elmsford, NY 10523
T 914.347.3300
F 914.347.3309
info@Benro.com
Benro.com

Specifications and design are subject
to change without notice.



SETUP

Head Mounting (FIGURES 1 & 2)

If your Monopod did not come with a Head, select one of the fine Benro Ballheads or Tilthead that match your size Monopod and install by screwing the Head clockwise onto the 3/8" Mounting Thread of the Top Plate. Once it is hand tight, secure by fully tightening the Head Locking Screw(s) from below with the included Allen Key.

Most Heads have a 3/8" Base Mount so your Benro Monopod is shipped with the 3/8" Mounting Thread exposed, but if the Head you choose uses a 1/4"-20 you can attach it by simply reversing the Mounting Screw. To do this turn the Locking Nut counter-clockwise (using the supplied Wrench) until it becomes loose, and unscrew the Mounting Screw until it can be completely removed. Reverse the Screw, so that the threads are in position and screw it back into place, secure with the Locking Nut using the wrench.

NOTE: Allow enough of the screw threads to be available for maximum security when the Head is mounted onto the Monopod. It's recommended that at least 5 to 6 threads be exposed before locking the Mounting Screw in place.

OPERATION

Before using your Monopod, adjust each Leg Section to the desired height.

Make sure that the Monopod is firmly resting on a stable surface and mount your camera securely on the Monopod Head. Always engage any safety locks on the Monopod Head to prevent any accidental dismounting.

FOR BEST RESULTS: Do not raise the Monopod higher than necessary and extend the largest diameter Leg Sections first.

NOTE: Never carry your Monopod with camera gear attached.

Leg Section Adjustment (FIGURES 3 & 4)

Each Leg Section can be adjusted to the desired length by turning the Leg Lock Grip 1/2 turn (180°) clockwise until the Leg is free to slide in or out. Once the desired length is achieved, turn the Leg Lock Grip counter-clockwise until the leg section is securely locked. Repeat this step for each Leg Section until the Monopod is set to the desired height.

NOTE: To prevent any accidental damage to your gear, always remove any mounted equipment (camera, etc.) from the Monopod before adjusting the Leg Sections.

Fold Out Legs (select models) (FIGURE 5)

For additional support during prolonged shooting events, your monopod features three integrated Fold Out Legs. These provide additional support and stability when desired and retract back into the lower section of the Monopod when not needed. To configure the Monopod with the support Legs in place, turn the bottom Rubber Foot counter-clockwise until the foot can be removed. Pull on the Foot and the Fold Out Legs will slide out of the lower tubing section. Allow each of the Legs to drop into their alignment grooves and screw the assembly back into the lower section of the Monopod. To retract the Legs, reverse the procedure.

NOTE: Do not leave the Monopod free standing, especially with a camera, lens or any equipment mounted. The retractable Legs are for hand held Monopod support and should never be used as a light stand or freestanding support under any circumstances.

USER NOTICE

- Do not exceed the maximum specified load capacity (see specifications on the package label or visit www.benro.com).
- Always ensure that Leg and Head Locks are tightly engaged before mounting any gear on your Monopod.
- Do not use any Monopod below temperatures of -4°F or above +158°F (-20°C / +70°C).
- Always clean and dry any Monopod after it has been exposed to wet, dusty, sandy or salty conditions. Your Monopod is not recommended for use in salt water. If required, clean Monopod using a mild soap solution applied with a soft cloth, rinse with fresh water and dry with soft towel. Remove any dust, dirt or sand from all Leg Locks, Leg Sections and all moving parts.
- Do not leave any Monopod in the sun for prolonged periods and avoid high temperature exposure.
- Avoid leaving any Monopod or Tripod unattended in areas where people could trip over the equipment and get hurt.
- Remove camera, lens, and all gear from the Monopod when transporting.
- For your safety, don't let your Benro gear come in contact with any electrical power source.